



MODEL Z

PFALZFACKEL

PFALZFACKEL

PFALZFACKEL

**SAFETY INSTRUCTIONS, OPERATING MANUAL
AND OPERATING INSTRUCTIONS**

PFALZFACKEL

PFALZFACKEL

PFALZFACKEL

PFALZFACKEL



For English version
scan the QR code



Pour la version
française, scanne
le code QR



Per la versione
italiana scansionare
il codice QR

TABLE OF CONTENTS

TABLE OF CONTENTS

TABLE OF CONTENTS

TABLE OF CONTENTS

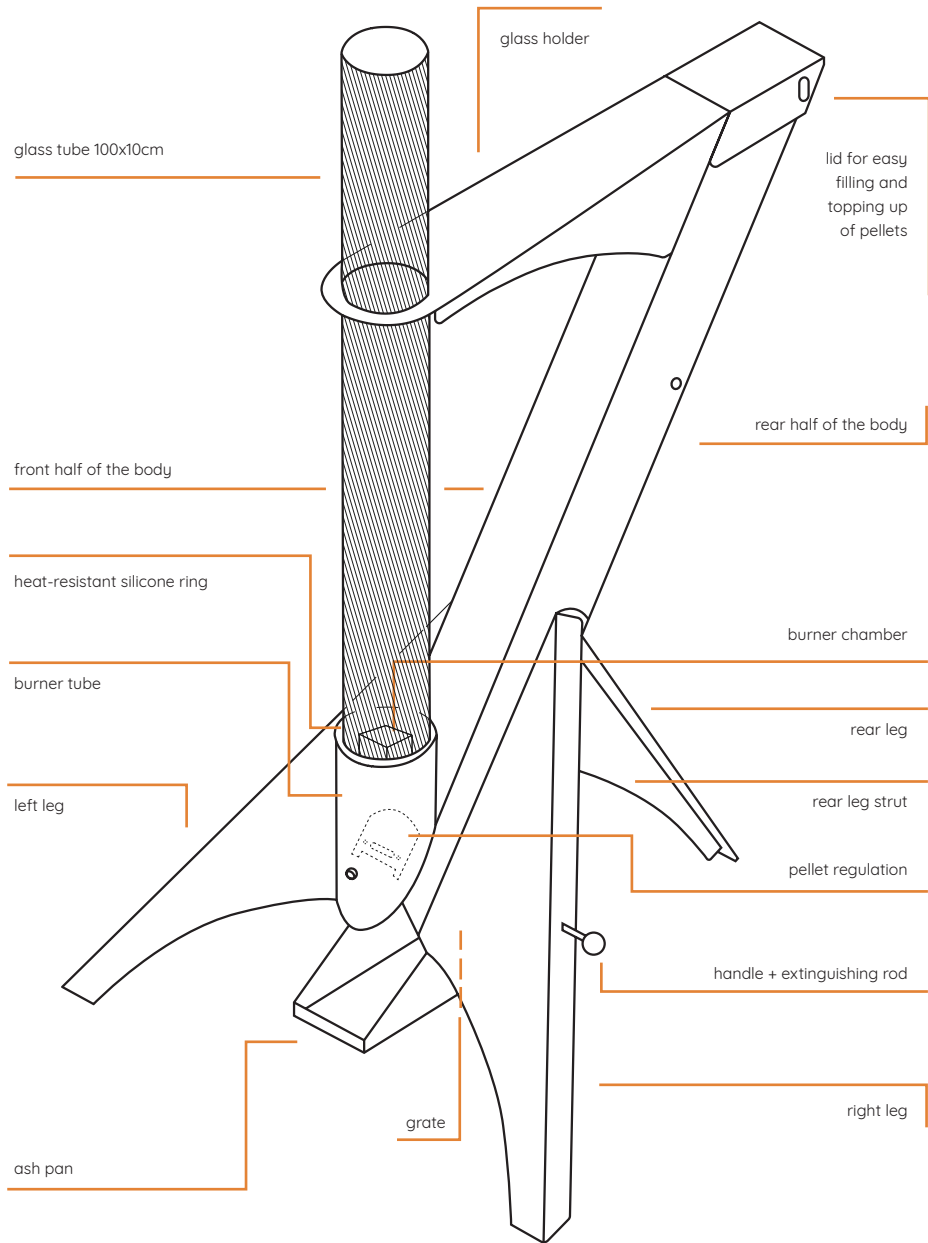
KEEP THESE OPERATING INSTRUCTIONS FOR FUTURE REFERENCE!

Read these operating instructions completely and observe the instructions and safety information contained within.

















• Parts list	1 - 3
• Disclaimer	4
• Sicherheitshinweise	5 - 8
• Assembly	9 - 14
• Ignition	15 - 16
• Extinguishing	17
• Cleaning	18
• Maintenance	19
• Service	19
• Warranty / guarantee	20
• Disposal instructions	20

PARTS LIST



LISTING (DIN STANDARD)

		Package 1 flanged nut DIN 6923 M6
		Package 2 hexagon socket screw DIN 6923 M8
		Package 3 hexagon socket screw DIN 912 M8x12
		Package 4 hexagon socket screw DIN 912 M8x16
		Package 5 hexagon socket screw DIN 912 M8x20
		Package 6 hex nut DIN 934 M8
		Package 7 pan head screw ISO 7380 M6x10

AUFLISTUNG DIN-NORM



Package 8
pan head screw
ISO 7380 M6x12



Package 9
pan head screw
ISO 7380 M8x30



Package 10
L-nut
L-nut M6



Handle
for securing the
extinguishing rod

We reserve the right to make technical changes to the model and accessories.
© Pfalzfackel 2024. Felix Hoffmann

DISCLAIMER

These operating instructions have been prepared with the greatest possible care. Nevertheless, we reserve the right to optimise and technically adapt them at any time.

Illustrations may differ from the original. In the course of product improvements, we reserve the right to make technical and optical changes to the article.

The product described in this documentation and, if applicable, its accessories are subject to constant improvement and further development.

For this reason, we reserve the right to change components, accessories, technical specifications and this documentation at any time without prior notice.

IMPORTANT!

Before use, carefully remove all packaging materials and ensure that you keep the operating instructions and safety instructions in a safe place near the Pfalzfackel torch. These are part of the scope of delivery.

Read all instructions completely and carefully and observe all safety instructions. Failure to follow these instructions may result in property damage, injury or death.



SAFETY INSTRUCTIONS

IMPORTANT!

- The operating instructions and the safety instructions are part of the scope of delivery.
- Read all instructions completely and carefully and observe all safety instructions listed therein. Failure to follow these instructions may result in property damage, injury or death.
- Make sure to keep the operating instructions and safety instructions at a safe place near the Pfalzfackel torch.

Safety instructions:

- Carefully remove any packing material before use.
- Inspect the torch for signs of material weakness or damage before use and replace if necessary.
- The Pfalzfackel torch is intended for private use and not for commercial use!
- Note that any use of alcohol, prescription or non-prescription medication may impair your ability to operate the torch as well as jeopardise its safe assembly!
- Never leave the torch unattended, especially in the presence of children and pets. The torch and its accessories are not toys!
- Use only parts approved for this model. The use of non-approved parts not in accordance with the intended use will invalidate the warranty.
- Only use the torch after it has been fully and properly assembled. Make sure that all components have been securely fastened!

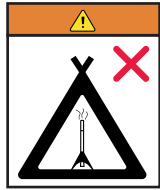
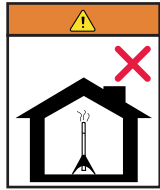
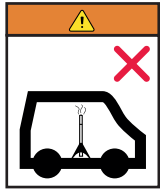
- Always wear protective gloves when handling the hot parts! Use heat-protective gloves that correspond with the PPE regulation/guideline category III.
- Observe the relevant fire regulations, among others.
- During operation, keep fire extinguishers in the immediate vicinity!
- In case of fire, try not to panic. If the fire gets out of control, get to safety and call 112.
- In the event of an oil/grease-related fire, NEVER attempt to extinguish it with water. Use type B or C powder extinguishers or try to reduce the fire with dirt, sand or baking powder!
- Allow the Pfalzfackel torch to cool completely before moving or storing it.
- Keep all electrical cables far away from the Pfalzfackel torch!
- DO NOT use the Pfalzfackel torch as a heater.
- NEVER cover the glass tube.
- DO NOT operate the Pfalzfackel torch on wooden decks or other combustible surfaces such as dry grass, sawdust, leaves or mulch.
- Protect the Pfalzfackel torch, especially the glass tube, from moisture or rain during operation!
- Place the Pfalzfackel torch on a suitable, heat-protecting surface to avoid discolouration or fading of the (generally heat-sensitive) surface.



DANGER OF POISONING!

- Do not operate the Pfalzfackel torch in closed and/or habitable rooms, e.g. buildings, tents, mobile homes, boats. There is a danger to life due to carbon monoxide poisoning!

SAFETY INSTRUCTIONS



FIRE HAZARD!

- The embers of the wood pellets have a higher heat effect than open flames!
- Hot smoke may be emitted.
- **NEVER** use the Pfalzackel torch near easily combustible materials! The minimum distance from all sides of the torch to any flammable material is 2m!
- **NEVER** use the torch under covered, flammable surfaces e.g. gazebos, parasols.
- **NEVER** store or use petrol, paraffin or other flammable substances or liquids within a radius of 8m!
- **NEVER** use spirit or petrol for lighting or relighting! Only use lighting aids in accordance with EN 1860-3!

DANGER OF BURNING!

- The torch can get well over 600°C hot. Parts of the Pfalzackel torch also become very hot during operation. **DO NOT** move the torch while it is in operation.
- **DO NOT** transport the Pfalzackel torch after it has been lit.

During the development of this torch, we have placed the highest value on particularly safe and simple operation, as well as good stability. Therefore, please observe the following instructions:

- Always handle the hot Pfalzackel torch with suitable protective gloves.
- Do not transport the Pfalzackel torch after it has been lit.
- Place the Pfalzackel torch on a suitable, heat-protecting surface to avoid discolouration or fading of the (generally heat sensitive) surface.



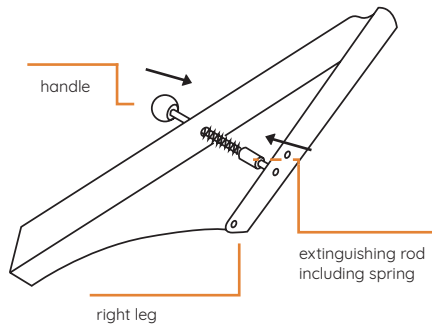
ASSEMBLY

The Pfalzfackel torch stands very stable on 3 solid stainless steel feet. Due to its own weight and the low centre of gravity, it is very stable and tilt-proof. The stainless steel feet ensure good ventilation and cooling between the ash rocker and the

floor covering. Nevertheless, the Pfalzfackel torch can get hotter than 100°C under the ash rocker - especially in the middle of the floor. As a matter of principle, avoid touching the Pfalzfackel torch when it is still hot with your bare hand.

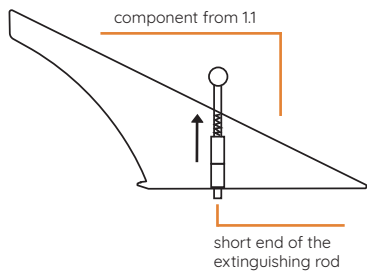
WARNING!

Read the safety instructions, operating manual and the operating instructions carefully before operating the Pfalzfackel torch.



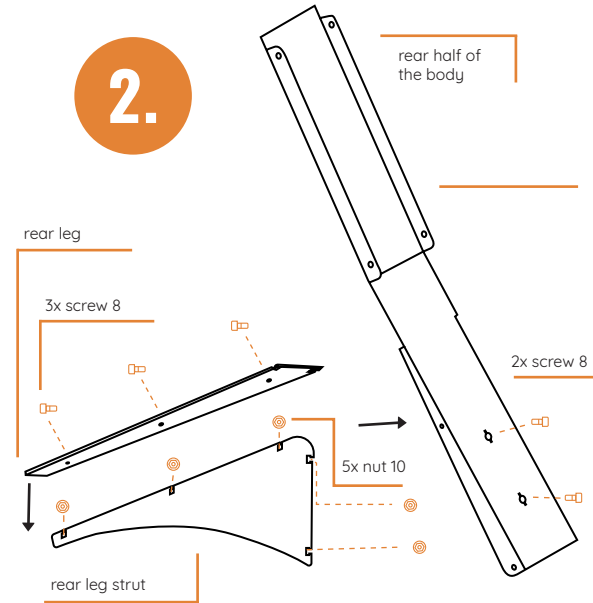
1.1

- Slide the spring onto the long end of the extinguishing rod and secure it in the base (right leg) using the handle.



1.2

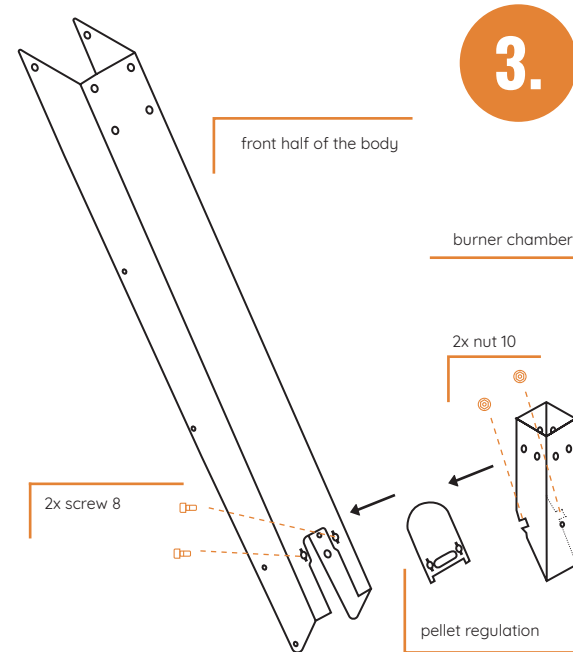
- Mount the short end of the extinguishing rod into the base. This is done by compressing the spring.



2.

- Insert 3 L-nuts into the designated slots and secure them with the 3 screws.
- Attach the rear leg using 2 nuts and screws on each side.

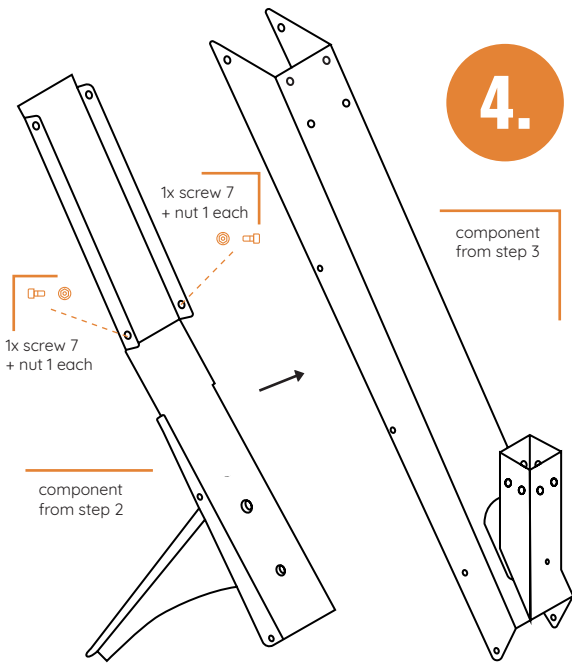
5x screw Nr. 8
5x nut Nr. 10



3.

- Attach the burner chamber and the pellet regulation to the front half of the body.
- To do this, insert the designated L-nuts into the groove and secure them through the body.

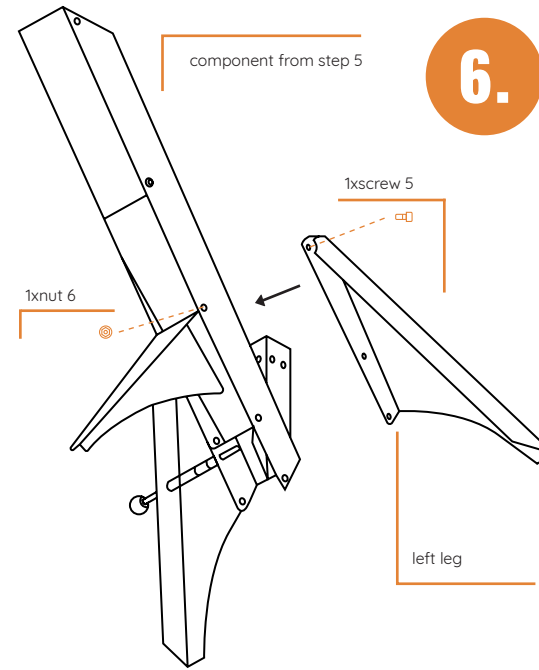
2x screw no. 8
2x nut no. 10



4.

- Take both components already processed in step 2 and step 3.
- Slide the preassembled parts together and secure them with the middle screws.

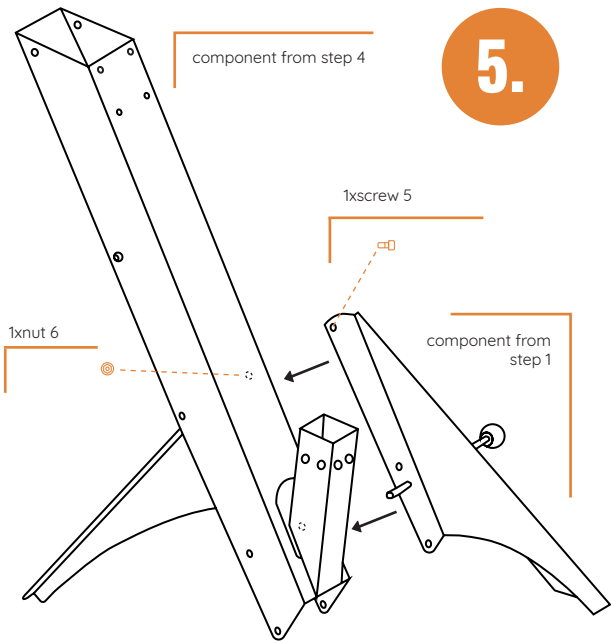
2x screw no. 7
2x nut no. 1



6.

- Now attach the left leg (without the pre-assembled rod) using the top screw (with the screw head facing outward and the nut facing inward).

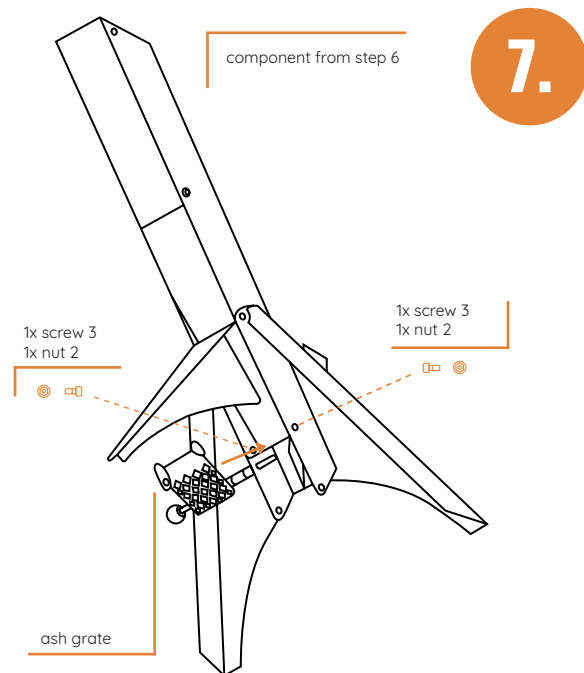
1x screw no. 5
1x nut no. 6



5.

- Mount the right foot (with preassembled rod) using the top screw (screw head facing outward, nut facing inward).
- Insert the L-nut into the designated groove in the rear foot.

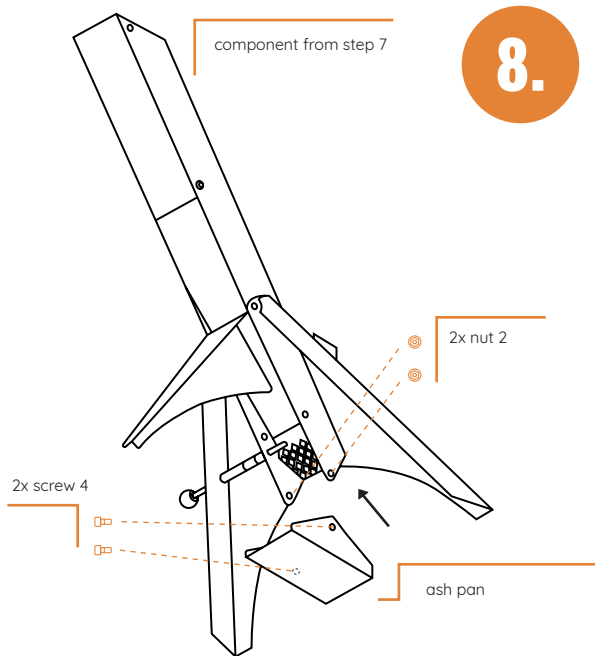
1x screw no. 5
1x nut no. 6



7.

- Now insert the grate and secure it with the supplied screws (screw head facing inward, nut facing outward).

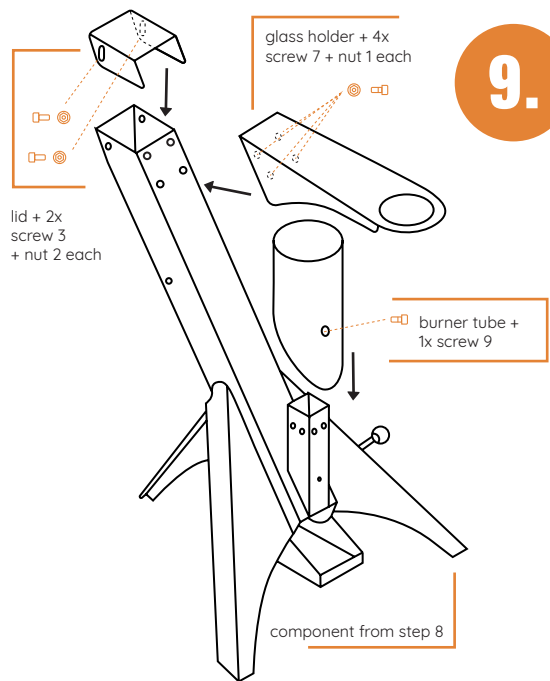
2x screw no. 3
2x nut no. 2



8.

- Now attach the ash pan with the lip facing forward (screw head facing outward, nut facing inward; the screw head will later be used as a hinge).

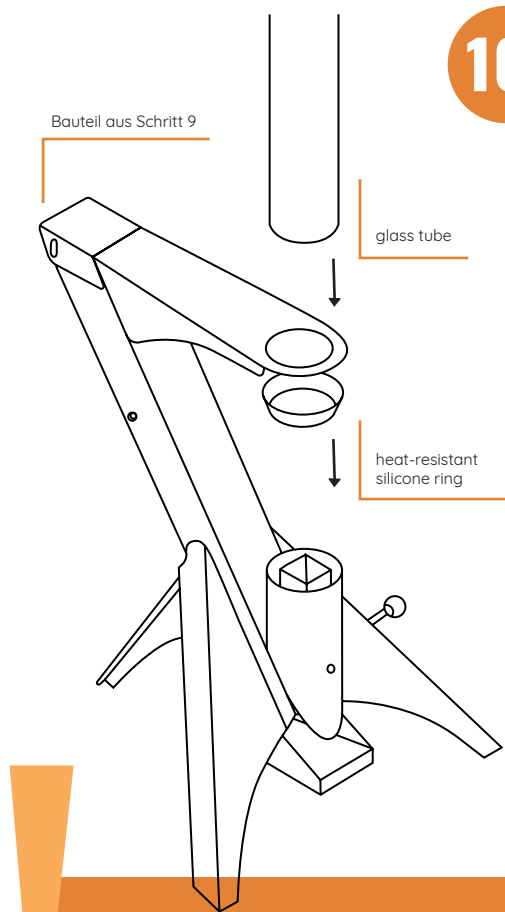
2x screw no. 4
2x nut no. 2



9.

- Secure the lower burner tube.
- Attach the glass holder using the designated screws.
- Attach the lid through the opening. The screw heads will also serve as hinges later.

4x screw no. 7
4x nut no. 1
2x screw no. 3
2x nut no. 2
1x screw no. 9



10.

- Place the glass tube into the designated holder and secure it.

THE TORCH IS NOW READY FOR USE.

Only use commercially available, fast-burning, solid fuel lighting cubes to light the Pfalzfackel torch.

DO NOT use highly flammable liquids such as methylated spirits, petrol or other liquids that are not intended for lighting the wood pellets. This can cause deflagrations, high flash flames or explosions with a high risk of injury.

The Pfalzfackel torch is a very economical torch with a low pellet consumption : One filling is approx. 6 kg of wood pellets.

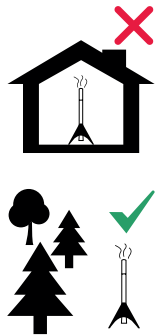
IGNITION

WARNING!

Read the safety instructions, operating, and user manuals carefully before using the torch. Always place a heat-resistant catch tray underneath the torch during operation.

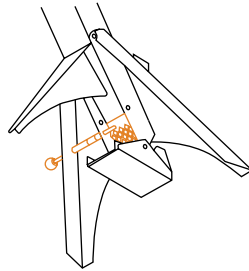
1.

Place the torch on a flat, non-slip, and heat-resistant surface. Ensure that there are no flammable or heat-sensitive materials nearby, and remove them if necessary.



2.

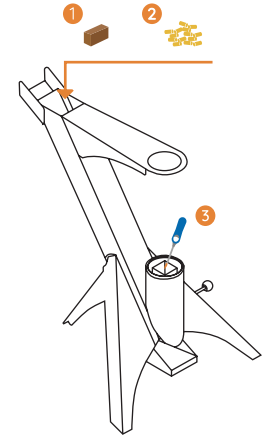
Close the grate and secure it with the rod located on the side.



3.

Drop a lighting cube into the pellet tank (1). Fill the tank with the desired amount of pellets (2) and close the lid.

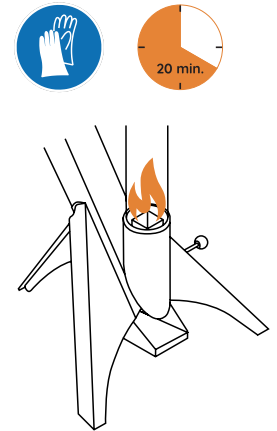
Ignite the lighting cube (3).



4.

After about 20 minutes an approx. 20 cm high flame is formed. Now insert the glass tube with suitable, heat-resistant gloves.

A short time later, the flame extends over the full length of the glass tube.



TIP!

Do not insert the glass tube too early in order to ensure that it does not become sooty due to unclean combustion of the lighting cube.



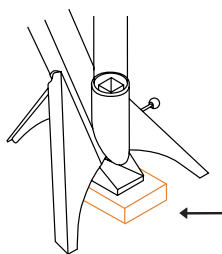
EXTINGUISHING

DANGER!

Although no flame is visible any more, parts of the Pfalzfackel torch may still be very hot and cause severe burns. Allow the Pfalzfackel torch to cool down overnight.

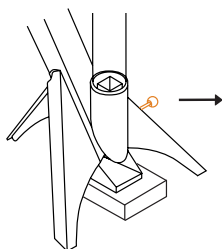
1.

To extinguish, place a flat, heat-resistant bowl under the Pfalzfackel torch.



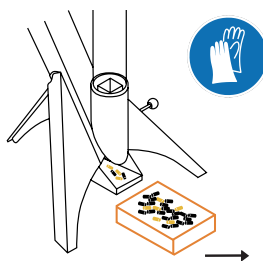
2.

Fix the Pfalzfackel torch with one hand and pull the extinguishing rod evenly and forcefully with the other until all the pellets have fallen out.



3.

Pull the bowl out from under the Pfalzfackel torch with suitable heat-protective gloves and extinguish the pellets by a stirring motion with a stick or with a little water.



CLEANING

Before you start cleaning, observe the following instructions:

- **⚠ ATTENTION!** If the Pfalzfackel torch is still hot and comes into contact with cold water, the glass tube can be damaged.
- **⚠ ATTENTION!** If the Pfalzfackel torch is tripped overhead, it can cause bruising. Instead, place the Pfalzfackel torch on a flat and padded surface to clean it.
- **⚠ NOTE!** Clean the tube with water and a microfibre cloth. Do not under any circumstances use aggressive cleaners such as pot sponges, scouring agents or similar. This can scratch the surface and permanently damage its special appearance. If the surface is very sooty, you can use suitable stove cleaners for this purpose.

After the Pfalzfackel torch has gone out, let it cool down for a few hours. Remove the glass tube with suitable safety gloves and place it on a padded surface. Avoid sandy or hard places as this may damage the glass.

Clean the tube with water and a microfibre cloth. After use, there may still be residues of pellets and ash on the ash rocker.

Place a suitably large container under the ash rocker and rinse it from the tray.

Extinguish the remains, before touching the tray, with water - pellets can still glow after a few hours and thus be hot. Make sure that the cooled ash is disposed of properly!

If you observe the precautions described above, the Pfalzfackel torch can be cleaned quickly, conveniently and easily.

After a few hours of firing, the grate may become clogged. Clean it with a suitable brush after each use.

MAINTENANCE AND SERVICE

MAINTENANCE AND STORAGE

The Pfalzfackel torch requires little maintenance. Cover the Pfalzfackel torch with a suitable rain cover. Store the Pfalzfackel torch in a dry place where it is reliably protected from dirt, moisture and rain.

The Pfalzfackel torch is made of high-quality materials in careful individual production.

Particular value was placed on sustainability and consistently good, long-term use for the Pfalzfackel torch.

Both the stainless steel housing and the fire chamber remain durable and functional for a very long time.

We expressly point out that optical surface changes such as colour changes of the fire chamber are possible.

This does not affect the technical functions of the torch and therefore does not constitute a warranty claim in the sense of a material or manufacturing defect.

SERVICE

Should you - after years - wish to have the combustion chamber renewed, e.g. For purely optical reasons, this can be carried out at the factory as a maintenance service at favourable and fair conditions.

We can also offer you a purely optical refreshment of the surface coating as a maintenance service. Simply contact us. We will be happy to advise you and provide you with a non-binding offer

WARRANTY AND DISPOSAL

WARRANTY / GUARANTEE

The Pfalzfackel torch is carefully checked for perfect condition of material, workmanship and packaging before delivery. If, nevertheless, verifiable manufacturing or material defects are found, these will be replaced or repaired free of charge - to the exclusion of all further claims - within the applicable warranty period from the date of purchase.

There is no warranty claim if the damage was caused by improper handling or incorrect use.

Discolouration of the combustion chamber after use is just as common as the already changed colour of the lower part of the Pfalzfackel on delivery. There is no material defect here. In the event of complaints, please consider the "Service" point listed above. Technical modifications or interventions by third parties without our written consent will automatically and immediately void the warranty claim. In order to assert a warranty claim, the purchaser must submit the original purchase receipt. In the event of a warranty claim, the buyer shall bear the costs and the risk of transport.

DISPOSAL INSTRUCTIONS

The Pfalzfackel torch is manufactured in a sustainable and recyclable manner. It therefore does not require special disposal.

The stainless steel used is of the highest quality and is usually recycled as a high-grade metal at an attractive price.

In case of disposal, please enquire with your local waste disposal company or the (municipal) authorities responsible for you.

If you have any questions or concerns, our Pfalzfackel torch team will be happy to help you at any time at: info@pfalzackel.de

HAVE FUN WITH YOUR PRODUCT!

If you have any
questions or suggestions,
please contact us:

info@pfalzfackel.de
© Pfalzfackel 2024

